

RVS-CP4 Monitor

7" Multi Function Touch Panel



Main Features

- ◆ 7 inches touch screen display
- ◆ Supports for MDVR diagnosis and operation
- ◆ Built in speakers
- ◆ Built in RFID module to sign in/out
- ◆ Resolution 800 x 480
- ◆ Station announcement (Manually and automatically)

Overview

7" Touch Panel Monitor, compatible with MDVR. Displays up to 4 x Cameras and has automatic switching capabilities for reverse camera. Integrates with DVR, accepts SMS messages, voice broadcasts, DVR setup and hard drive playback. Touch Screen for easy use. Easy installation into vehicle.

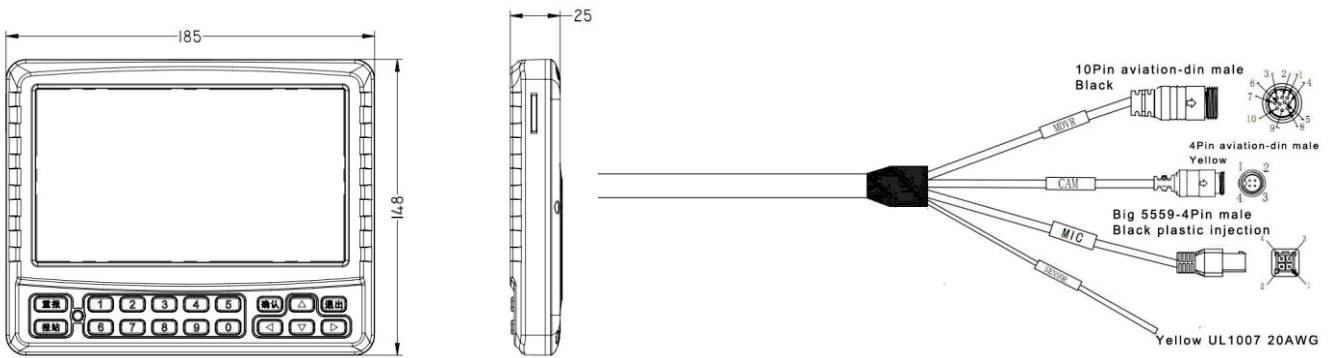
Specification

Items	Parameter	Performance Index
Specifications of Screen	Size	7 Inches
	Resolution	800 x 480
	Aspect ratio	16:9
	Button and Screen Distribution	Combined
Material	Panel Material	70%PC+30%ABS Engineering plastics
	Button Material	Silicone
Built-in Module	RFID Wipe Card Module	13.56 MHZ for driver to sign in and sign off.
	Speaker	Speaker(16Ω, 2W)x2
Interface	MDVR Interface	Connects to Streamax MDVR
	CAM Interface	Yellow 4PIN aviation-din connector, connects to reversing camera
	MIC Interface	Connects to the driver megaphone
	SENSOR Interface	Yellow hanging line, reversing signal detection port, high level effective. To monitor control for reversing.
Button	Function Buttons	Restate / station announcer / Arrow Keys / Confirmation / Exit
	Number Buttons	0-9
Installation	Tile Installation	Refer to mounting bracket.
	Bracket Installation	There are three brackets with hood.
Dimension	185mm×128mm×34.9mm	
Operation Parameters	Operating Voltage	12V
	Operating Current	200mA
	Total Power Consumption	2.4W
Performance Parameters	Waterproof and Dustproof	IP53
	Operating Temperature	-20℃~+70℃ ;
	Relative Humidity	8%~90%

LCD Specification

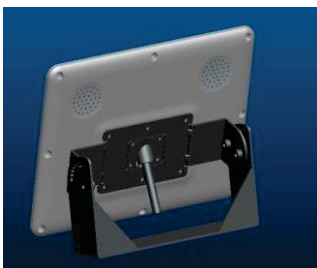
LCD Parameter	Performance Index	Description
Screen Type	LCD screen	
Touch Type	4 wire resistor type	
Size	7 inch	
Resolution	800 x 480	
Luminance	400cd/m2	
Contrast Ratio	20.83402778	Under a suitable brightness condition, the higher contrast, the richer color levels
Response Time	10/15(Tr/Td) ms	The response time of the LCD to the input signal
Visual Angle	70/70/50/70 (Typ.)(CR dot 10)(Left/Right/Up/Down)	
Maximum Number of Display Color	262K/16.7M(6bit/6bit+Dithering)	
Scale	16:9	
Back-light Type	White LED	

Dimensions and Pinning (unit: mm)



Connector Name	Function	Definition
MDVR	Black 10PIN aviation din male connector connects to Streamax MDVR.	<p>19-10 VIDEO 20-9 GND 2-1 +12V 24AWG 4-2 GND 24AWG 13-3 TXD 15-4 RXD 1-AUDIO+ 3-AUDIO- 10-MIC+ 14-MIC-</p>
CAM	Yellow 4PIN aviation din connector connects to reversing camera.	<p>1 2 1. Power+ 2. GND 3. Audio signal 4 3 3.4. Video signal</p>
MIC	Connects to driver microphone.	<p>1 3 2 4 1 GND 2 MIC+ 3 MIC- 4 MIC_SW_IN</p>
SENSOR	Yellow hanging line, reversing signal detection port, high level effective. For reversing control.	<p>Hanging line</p> <p>— SENSOR</p>

Bracket Installation (CP4 supports bracket installation, and there are three brackets to be chosen)



Suitable for flat console



Suitable for curved console



Suitable for hanging